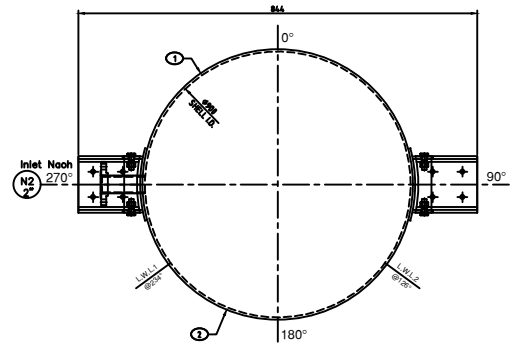
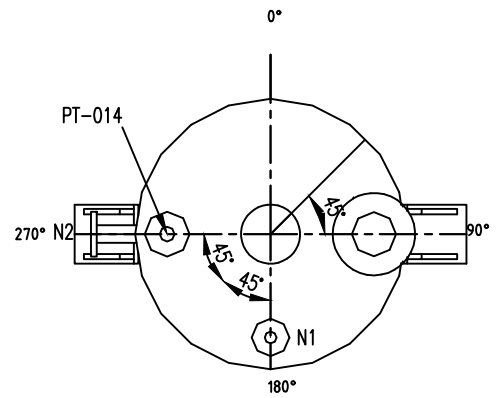


Stuffing box for R-101
SC = 1 : 8

LUG DETAIL
SC = 1 : 5



TOP VIEW
SC = 1 : 8



AS-BUILT

NO.	SIZE	RATING	CODE	Service
R-101				
N1	1.1/2"	CL 150 RF	ANSI B16.5	Gas outlet
N2	2"	CL 150 RF	ANSI B16.5	No. 70% Inlet
N3	3"	CL 150 RF	ANSI B16.5	Outlet
N4	5"	CL 150 RF	ANSI B16.5	S2 Granule Inlet
PT-014	2"	CL 150 RF	ANSI B16.5	Pressure Transmitter